

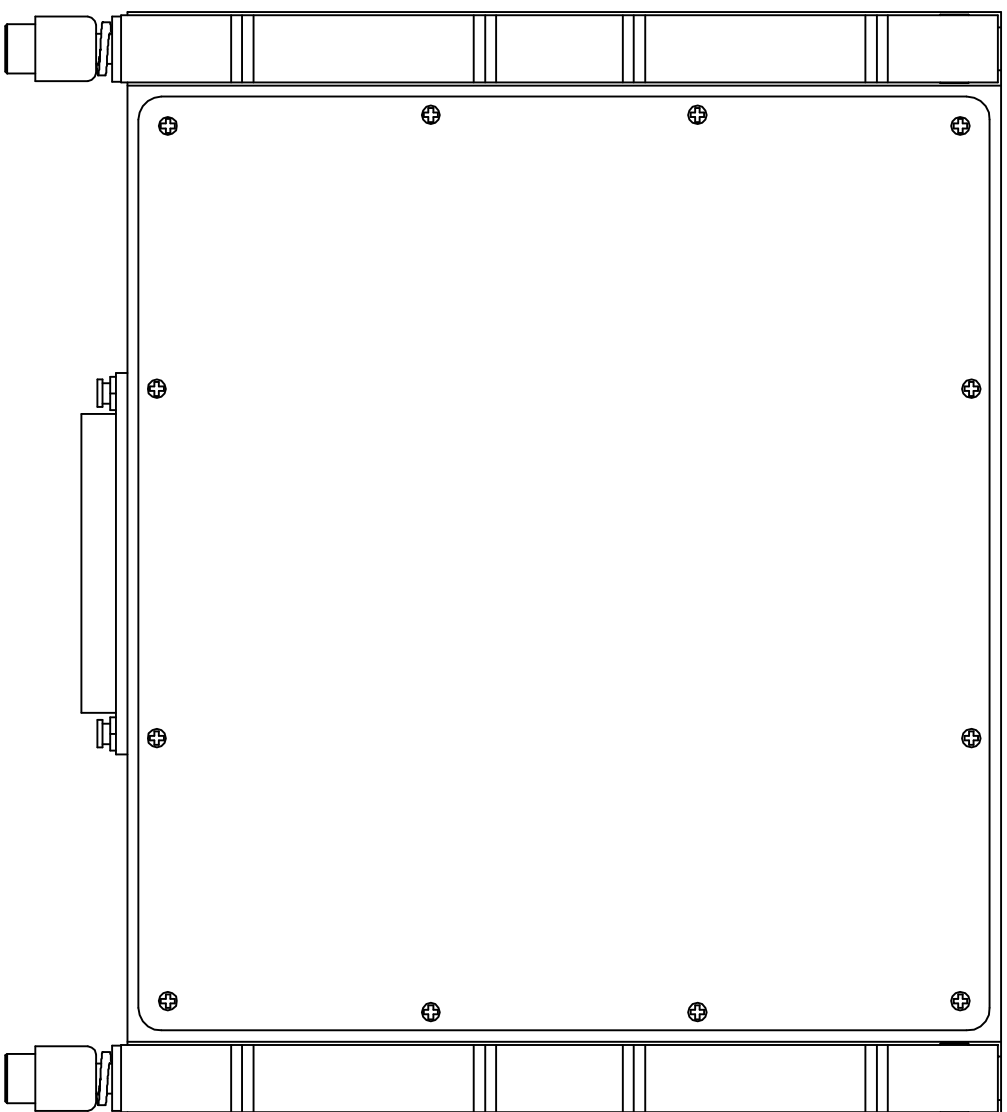
4

3

2

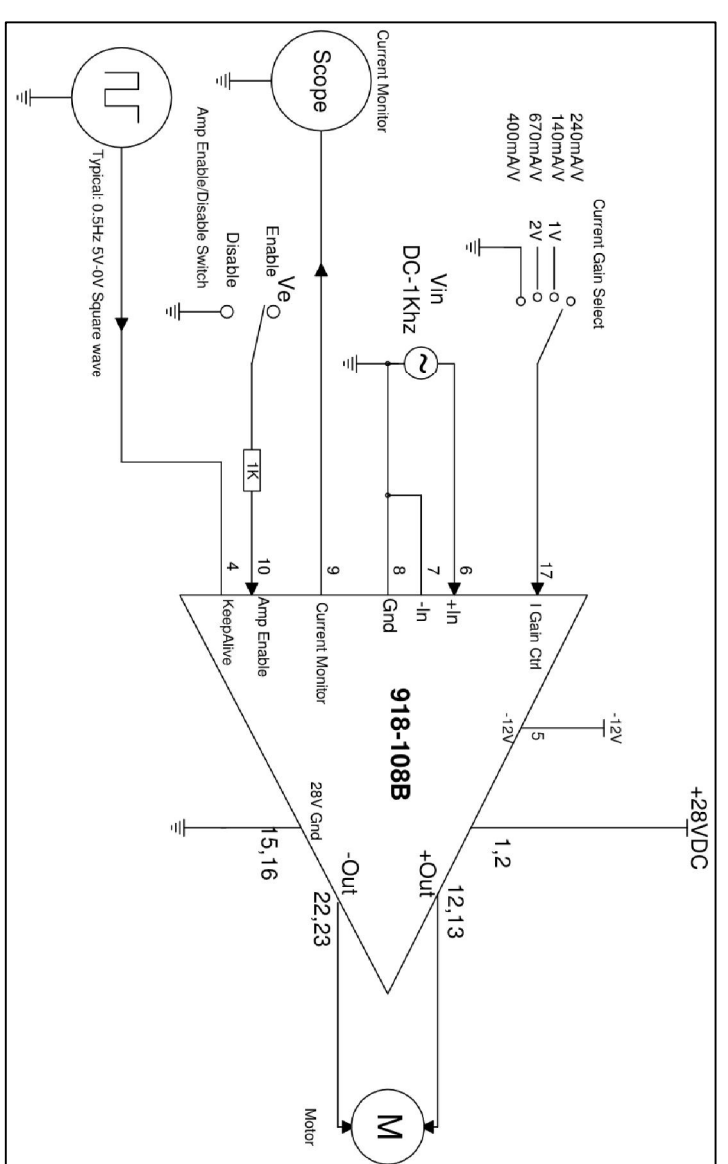
1

D



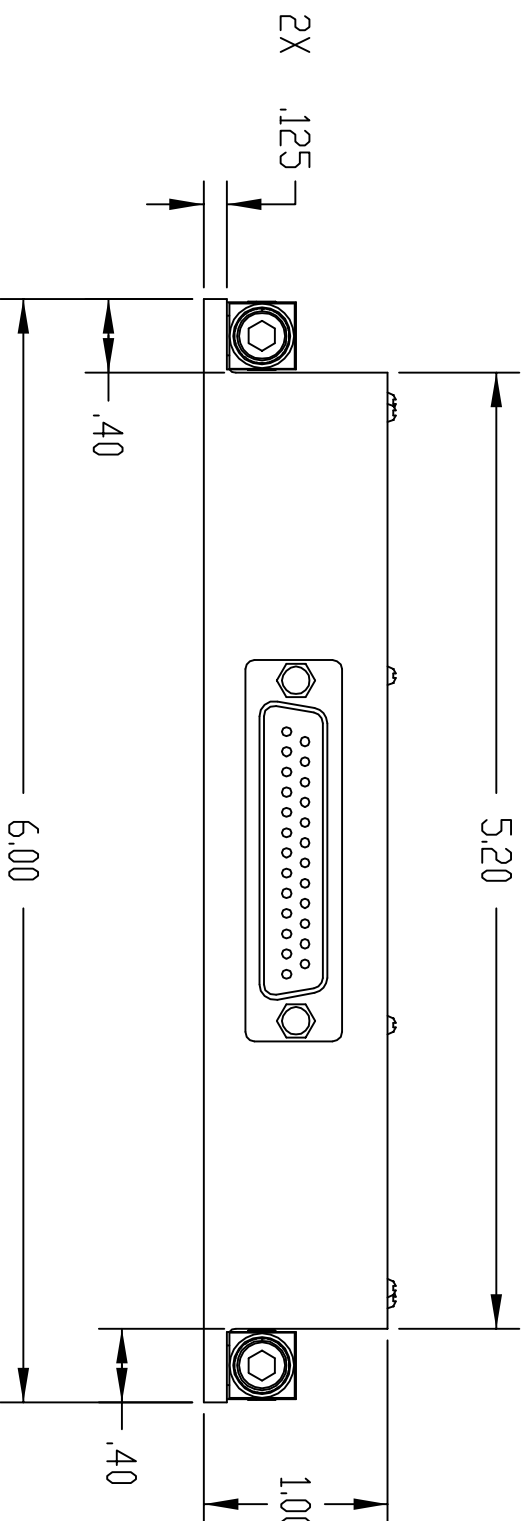
REVISIONS				
ZONE	LTR	DESCRIPTION	DATE	APPROVED
-		PRODUCT BASELINE	2-1-2018	H. C.
A		UPDATED TYPICAL SETUP DIAGRAM	2-14-2018	B. L.

D



C

B

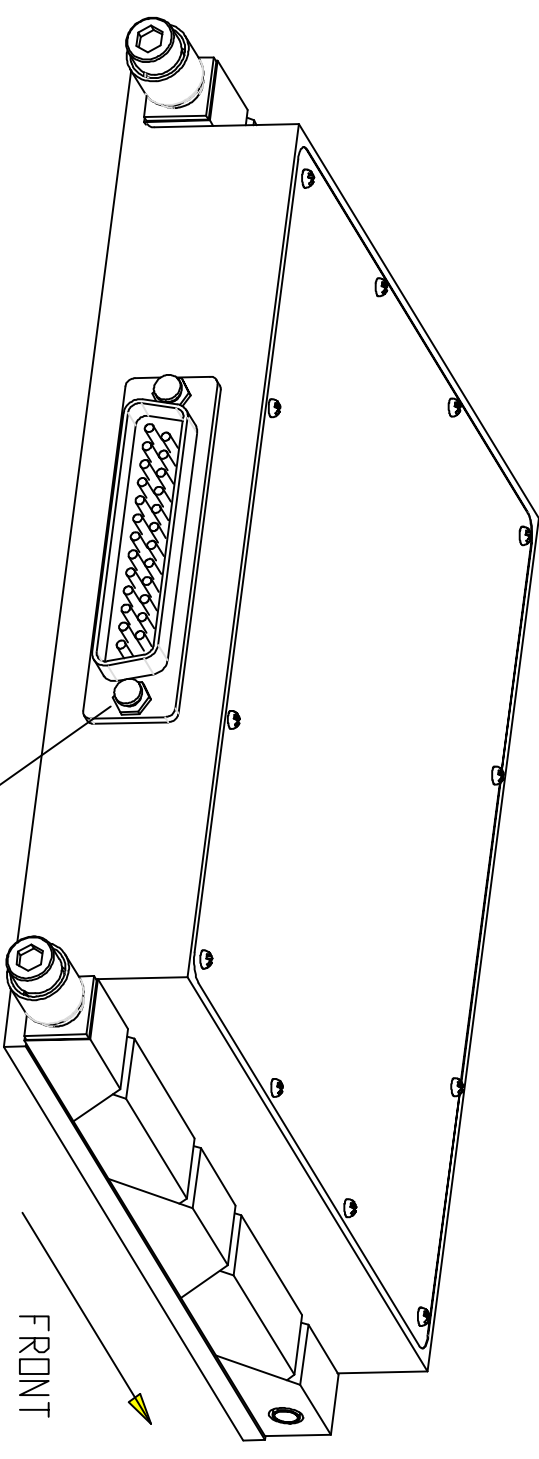


B

NOTES:

- Technology: DC Linear Current Amplifier
- Power Input: 28V, -15V
- Gain: Selectable 240mA/V 400mA/V, 1A/V, 2A/V
- Load: 2 to 10 Ohms
- Control Input: Amplifier Enable, Gain Selection
- Monitor Output: 2A /V
- Operating Temperature: -55 to 86 Degree C.
- Enclosure Size: 6.00" X 4.75" X 1.00"
- WEIGHT: 28 Dz

D53018-14  
MATING CONNECTOR DB25F  
MATING CONNECTOR SLIDER DB61221-1



QTY.	CAGE CODE / MFR	PART DR IDENTIFYING NO.	SPEC	NOMENCLATURE DR DESCRIPTION	REF. DESIG DR NOTE
PARTS LIST					
UNLESS OTHERWISE SPECIFIED DIMENSIONS ARE IN INCHES TOLERANCES ON: 2 PLACE 3 PLACE ±.01 ±.005 ANGLES ±0.5°					
CONTRACT NUMBER		CONTROL TECHNOLOGY CO, INC. COLLEGE POINT, N.Y.			
DRAWN BY J. ALFREDDSON	DATE 2-1-2018	918-108B DC LINEAR CURRENT AMPLIFIER			
CHECKED H. COPPER	DATE 2-2-2018	CAGE CODE 14545			
ENGR B. LEE	DATE 2-2-2018	DWG NO. 918-108B-1000			
FINISH		SCALE 1/1	SHEET 1 OF 1		REV A
NEXT ASSEMBLY		USED ON		APPLICATION	

A

4

3

2

1

A